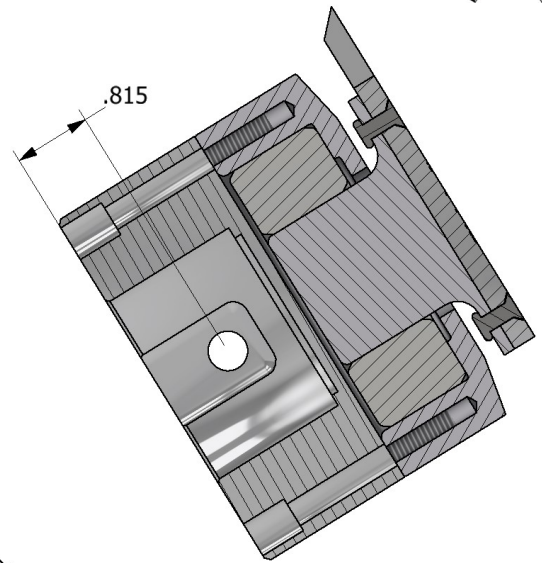
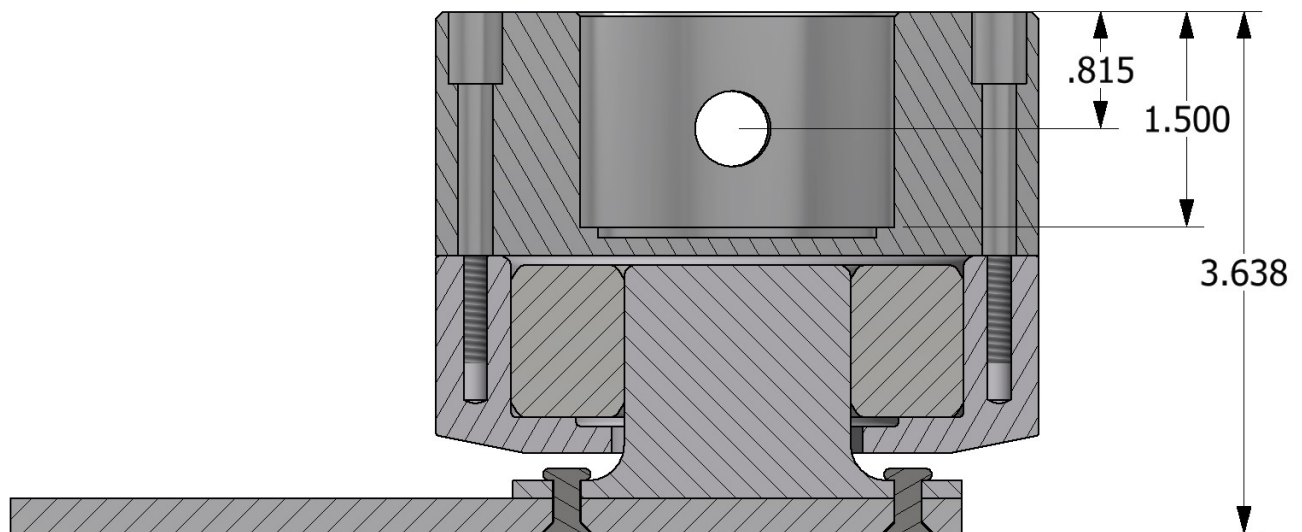
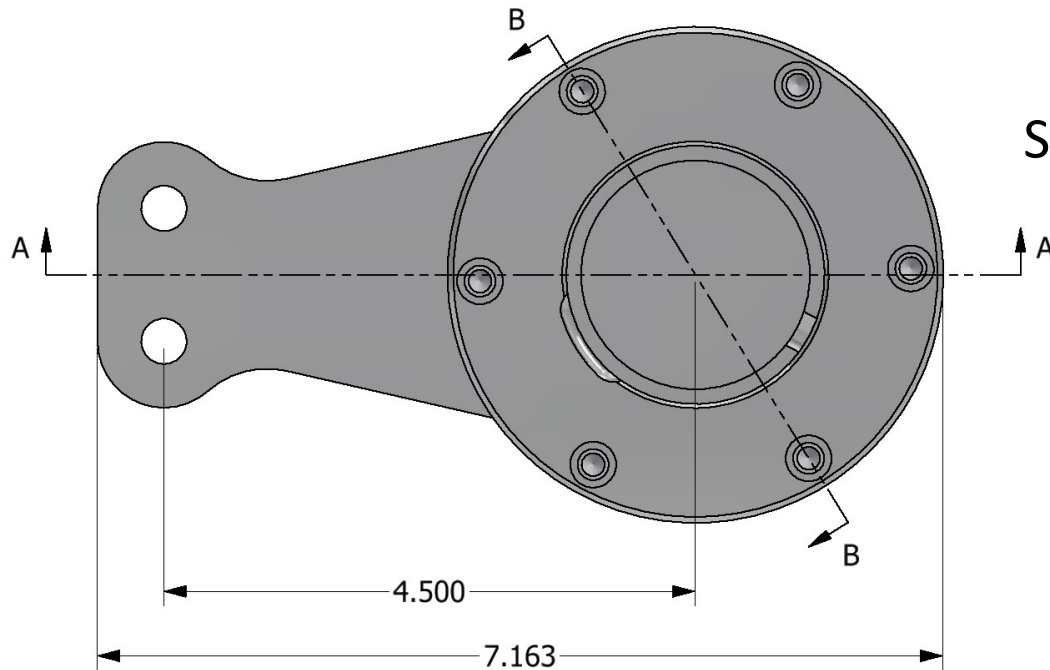


AIRBRAKE® SHAFT MOUNT



SECTION B-B



SECTION A-A